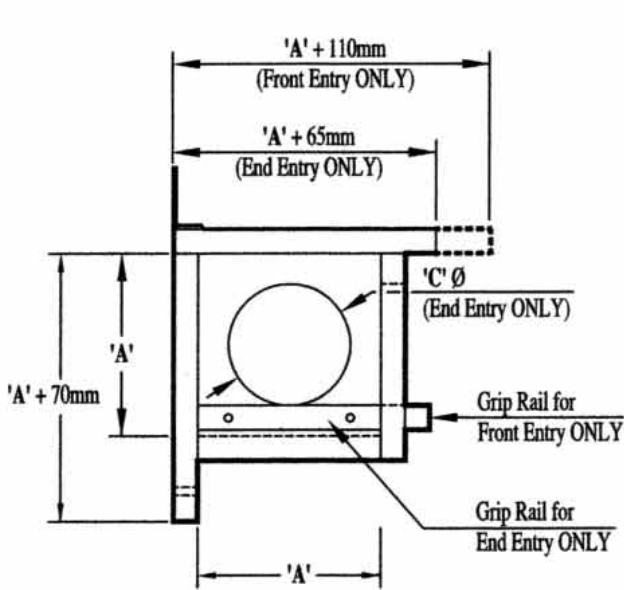
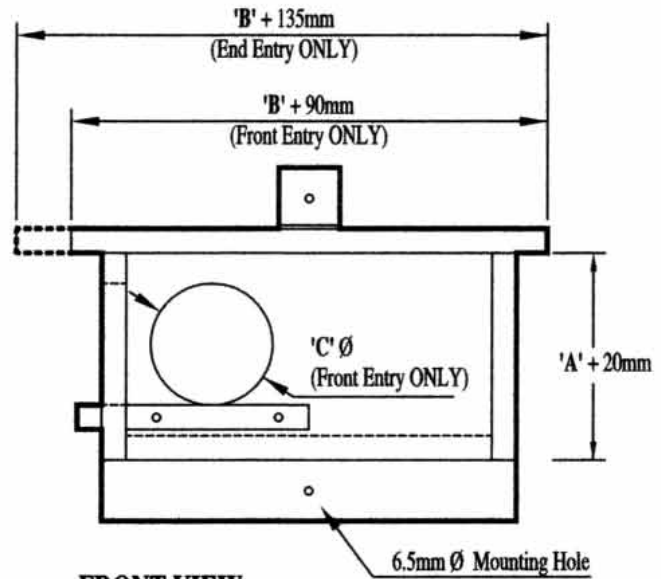


# HORIZONTAL NEST-BOX DESIGN

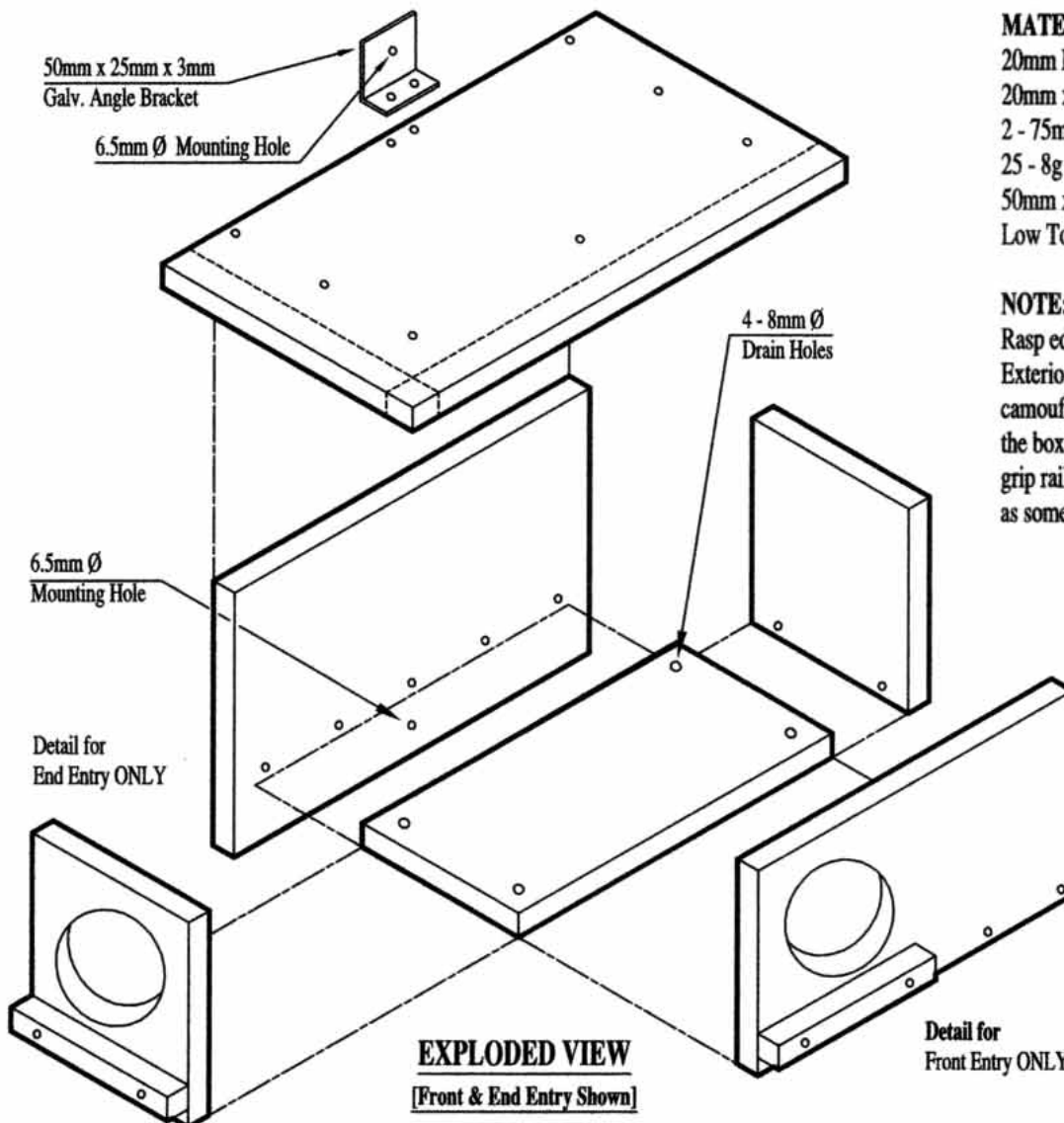
## FRONT AND END ENTRY OPTIONS



**END VIEW**



**FRONT VIEW**



**EXPLODED VIEW**  
[Front & End Entry Shown]

### MATERIALS:

- 20mm Exterior Plywood;
- 20mm x 20mm Hardwood;
- 2 - 75mm Type 17 x 14g Galv. Batten Screws;
- 25 - 8g x 50mm Wood Screws (Exterior);
- 50mm x 25mm x 3mm Galv. Angle Bracket;
- Low Toxicity Exterior Adhesive.

### NOTE:

Rasp edges of Grip Rails to improve grip; Exterior Grade Acrylic Paint (of a suitable camouflage colour) will extend the life of the box. Do NOT paint the interior, the grip rails or around the entry of the box, as some species like to chew.

**More information**

Go to [www.stgmagazine.com.au](http://www.stgmagazine.com.au) to download the Vertical Nest-Box Design template.

