

either method of attaching the nest-box.

Some Arboriculturists have stated that the use of metal straps, chain or sprung-loaded wire around the tree has the potential to affect the growth, health and future safety of the tree, while yet others express concern about the use of screws directly into the living tree and the risk of an inhabited nest-box falling when the screws fail due to rust. Both methods are at best a compromise.

Some experts advocate for the use of 14g galvanised batten screws; suggesting that two small points of entry through the bark are more preferable to the potential ring-barking effects of more constricting options. While others prefer the around-the-tree method; stating that providing the constriction is sufficiently cushioned with tubing at the points of contact, the effect on the tree is minimal.

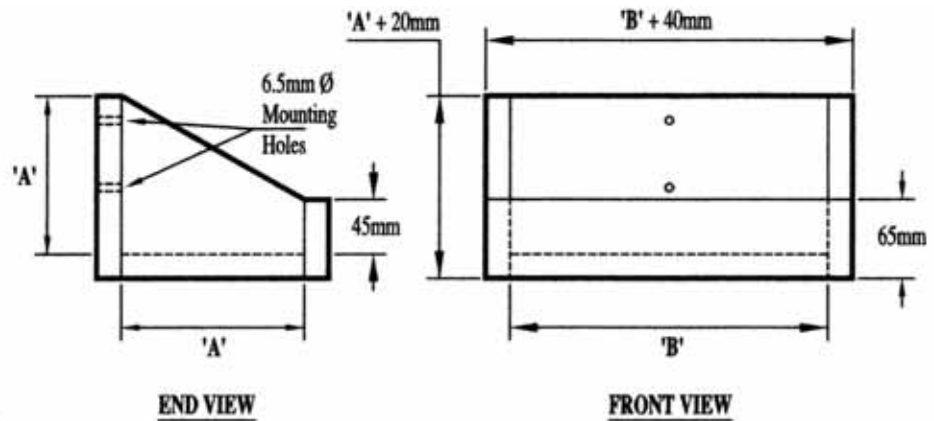
Irrespective of which method is chosen, the responsibility does not end with the construction

03



03 Eastern Rosella  
Image Greg Dare

# NEST PLATFORM DESIGN

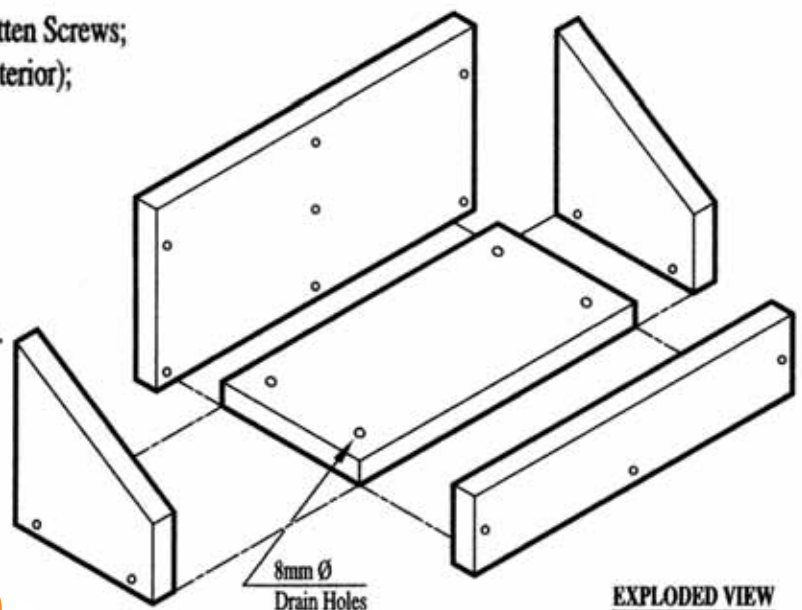


## MATERIALS:

- 20mm Exterior Grade Plywood;
- 2 - 50mm Type 17 x 14g Galv. Batten Screws;
- 12 - 8g x 50mm Wood Screws (Exterior);
- Low Toxicity Exterior Adhesive.

## NOTE:

Exterior Grade Acrylic Paint (of a suitable camouflage colour) will extend the life of the platform. Do Not paint the interior of the platform.



## More information

Go to [www.stgmagazine.com.au](http://www.stgmagazine.com.au) to download the Nest Platform template.

